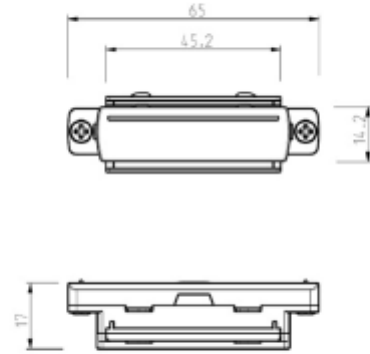




FDV SPEC SHEET

Global Base Straight Connector 1-circuit BK
Art. no: GB21-2



Global Base Straight Connector 1-circuit BK

Art. no: GB21-2