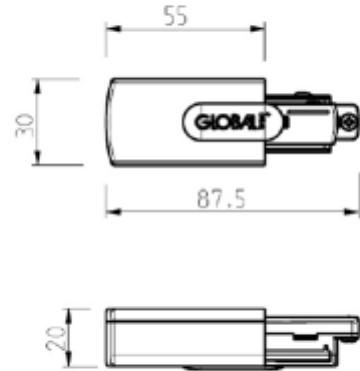




FDV SPEC SHEET

Global Base End Feed 1-circuit Right BK

Art. no: GB12-2



Global Base End Feed 1-circuit Right BK

Art. no: GB12-2