

EMKIT WL

C

ITEM NUMBER

548-1011

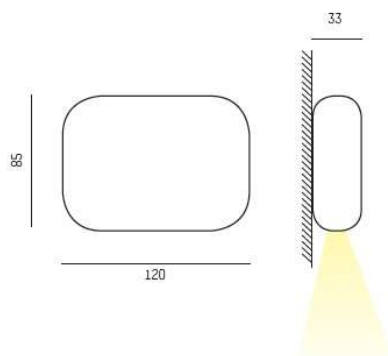


Sample image

## PRODUCT DETAILS

Wall luminaire, die-cast zinc, galvanised chrome, rectangular design with rounded edges, elliptical light emission 43° x 16°, incl. converter.

## DRAWING



## TECHNICAL DETAILS

No. of bulb holders		Voltage [V]	100-264V
Socket		Colour temp. [K]	3000K
Ceiling cutout [mm]		Beam angle [°]	43°x16°
Recess depth [mm]		CRI	>80
Diameter [mm]		Luminous flux [lm]	135
Length [mm]	120	Ec [kWh/1000h]	4
Width [mm]	85	Lifetime [h]	50000
Height [mm]		Energy efficiency cl.	A
Troat [mm]			
IP protection class	IP20	Voltage class [V]	230VAC 50/60
Customs tariff no.	9405109890	Bulb type	LED 4W
EAN-Number	9008905108624	Colour finish	chrom
Net weight [kg]	0,85		

## LIGHT DISTRIBUTION CURVE



Sample image